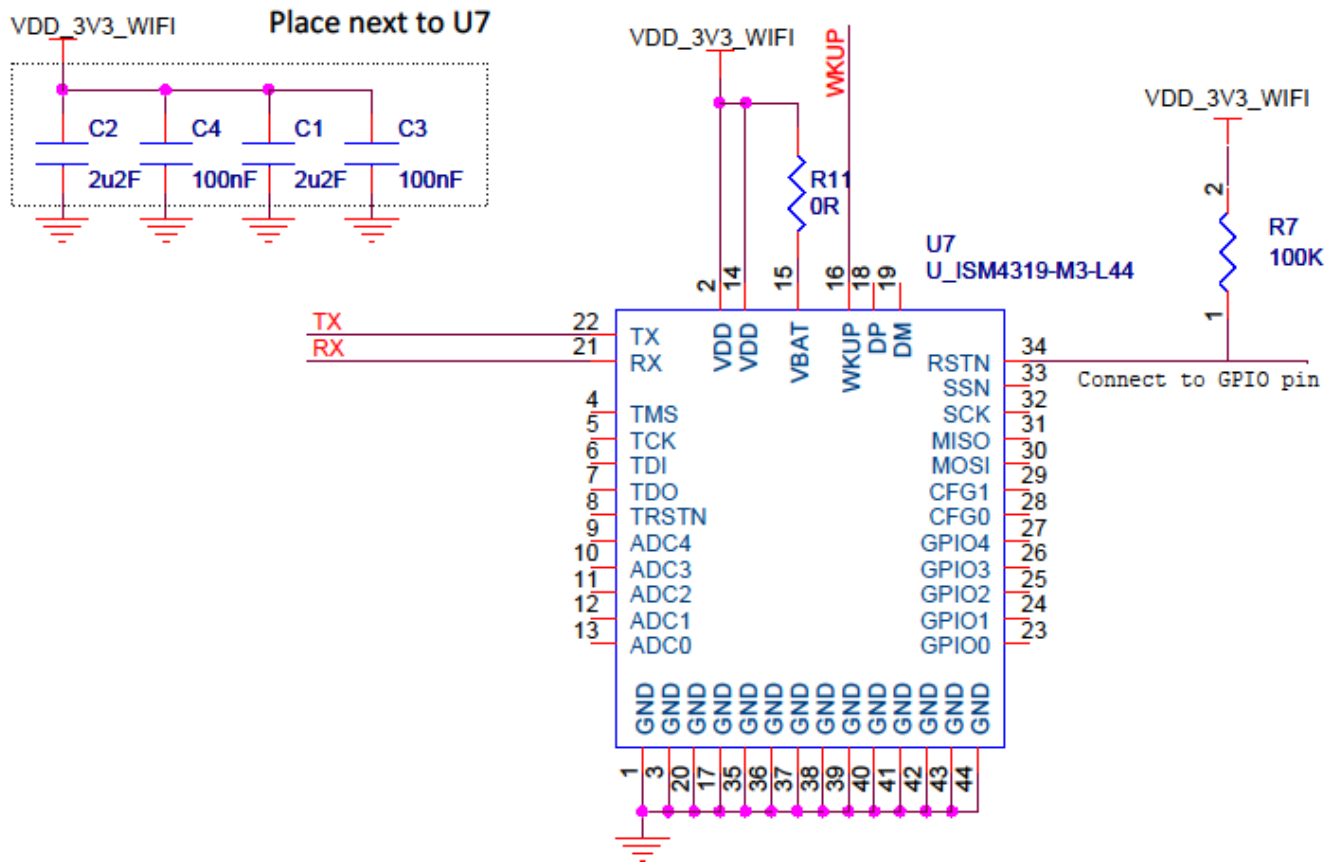


This schematic is the minimum number of wires required to be connected to your microcontroller for operation in the **UART mode**. We suggest that you monitor wakeup and connect reset to your micro. You may also want to bring out the JTAG lines to flash the wifi module for your initial prototypes

## ES-WIFI MODULE



Please e-mail your schematics ( pdf's) to [engineering@inventeksys.com](mailto:engineering@inventeksys.com) for a review.