

# ISM43362-L36 Wi-Fi 802.11b/g/n Module

## SDIO Interface...Linux...Android...Virtual WICED

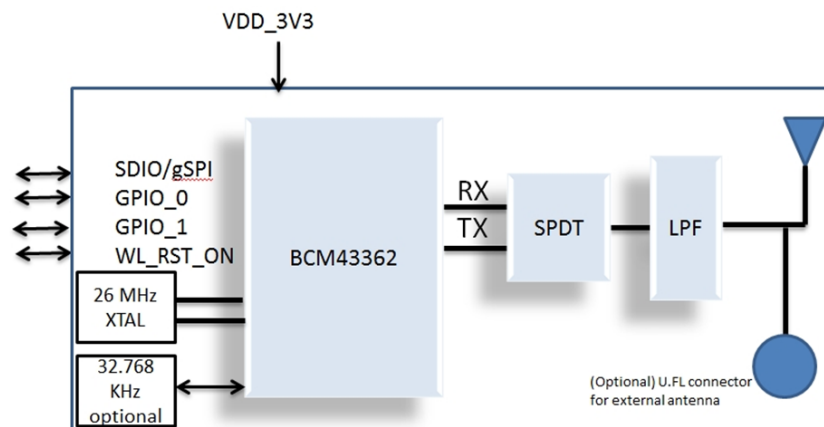
The Inventek ISM43362-L36 is an 802.11 b/g/n WiFi Radio SiP with on board antenna or optional external antenna with a U.FL connector, which is designed for embedded wireless solutions and offers a cost-effective high performance Broadcom radio device (BCM43362) packaged in an 36 pin LGA (24.4mm x 15.3 mm). It includes standards-based wired and wireless technologies to enable IP infrastructures for smart grid, smart home, security, building automation, toys, robots, remote health and wellness monitoring and other IoT and M2M applications.



The module is based on IEEE802.11 b/g/n antenna single-stream align technology. The solution is FCC/IC/CE certified and helps to reduce development time, lower manufacturing costs, save board space, and ease certification

### Main Features

- ◆ 802.11 b, g, n compliant based on Broadcom MAC/Baseband/Radio device
- ◆ FCC and Ce certified in process
- ◆ IEEE 802.11 b/g/n complaint
- ◆ Soft Access Point for up to 7 clients for configuration and ad-hoc networks
- ◆ Host interface: SDIO
- ◆ Network features ICMP ( Ping), ARP, DHCP, TCP, UDP
- ◆ Low power operation (3.3V supply)
- ◆ Secure Wi-Fi authentication WEP-128, WPA-PSK (TKIP), WPA2-PSK



### Application Examples

- ◆ PDA, Pocket PC, computing devices
- ◆ Building automation and smart energy control
- ◆ Industrial sensing and remote equipment monitoring
- ◆ Warehousing, logistics and freight management
- ◆ PC and gaming peripherals
- ◆ Printers, scanners, alarm and video systems
- ◆ Medical applications including patient monitoring and remote diagnostics

<b>NETWORK STANDARD</b>	IEEE 802.11b/g/n
<b>RF FREQUENCY</b>	2.400 GHz ~ 2.497 GHz
<b>DATA RATES</b>	802.11n: 6.5, 13, 19.5, 26, 39, 52, 58.5, 65 Mbps 802.11g: 6, 9, 12, 18, 24, 36, 48, 54 Mbps 802.11b: 1, 2, 5.5, 11 Mbps
<b>MODULATION TECHNIQUES</b>	802.11g/n: OFDM /64-QAM, 16-QAM, QPSK, BPSK 802.11b: CCK, DQPSK, DBPSK
<b>WIRELESS SECURITY</b>	WEP (64/128-bit), WPA™ (PSK, TKIP) / WPA2™ (AES, CCMP, 802.1x Authentication)
<b>HOST INTERFACE</b>	SDIO
<b>NETWORK PROTOCOLS</b>	TCP, UDP, IPv4, ARP, ICMP, DHCP Client
<b>WLAN FUNCTIONS</b>	Power save modes, automatic roaming, auto-rate Ad-hoc and Infrastructure modes
<b>CONFIGURATION</b>	WICED, Linux, Android
<b>SUPPLY VOLTAGE</b>	3.3V ± 5%
<b>PACKAGE</b>	36-pin LGA, 14.5mm x 30 mm
<b>OPERATING TEMPERATURE</b>	-35°C to +80°C
<b>CERTIFICATIONS</b>	FCC and CE

Device	Description	Ordering Number
ISM43362-L36-E	802.11 SiP Module based on Broadcom BCM43362 with on board etch antenna	ISM43362-L36-E
ISM43362-L36-U	802.11 SiP Module based on Broadcom BCM43362 with U.FL connector for external antenna	ISM43362-L36-U
ISM43362-L36-EVB	SDIO Evaluation Board	ISM43362-L36-EVB

**Contact**  
 Inventek Systems  
 2 Republic Road  
 Billerica Ma 01862  
 978-667-1962

**E-mail**  
 Sales@Inventeksys.com  
 Engineering@Inventeksys.com  
 www.Inventeksys.com