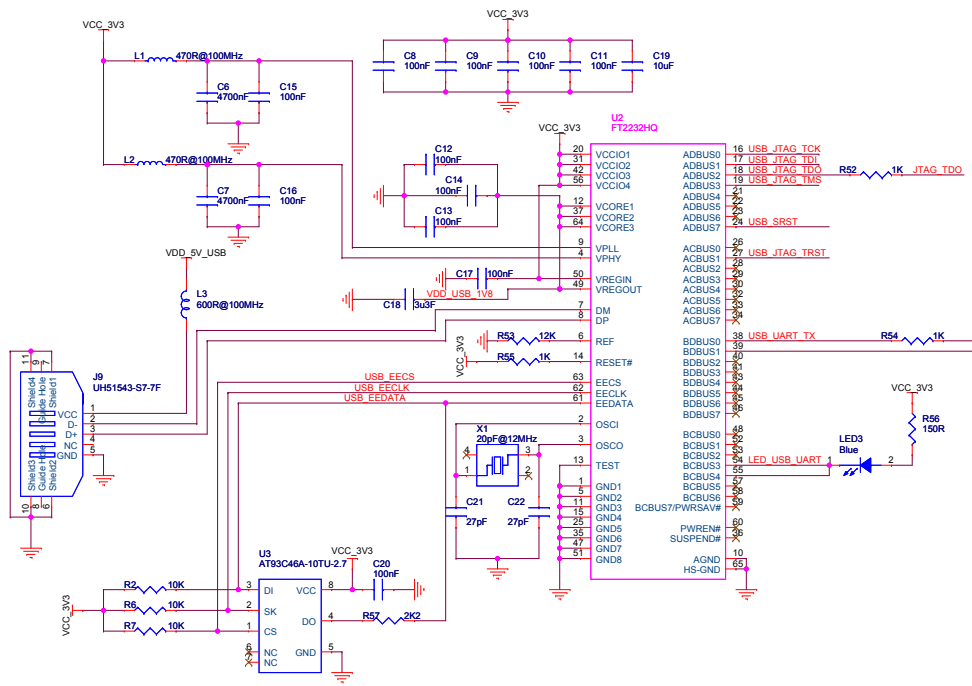
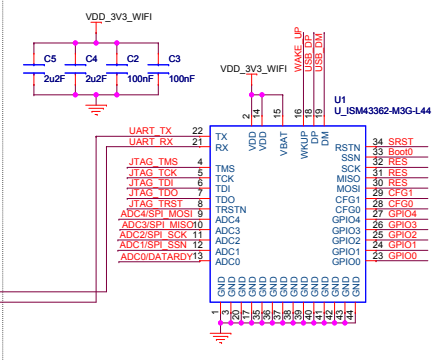


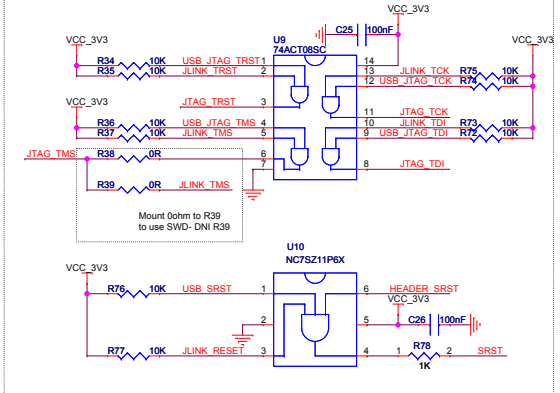
USB to UART



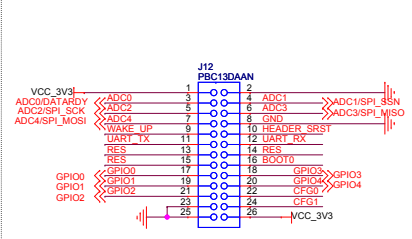
ISM43362 Module



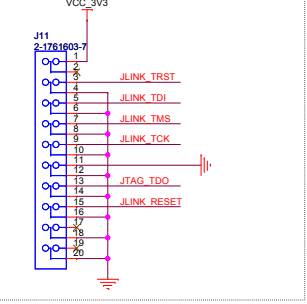
JTAG and Reset Switches



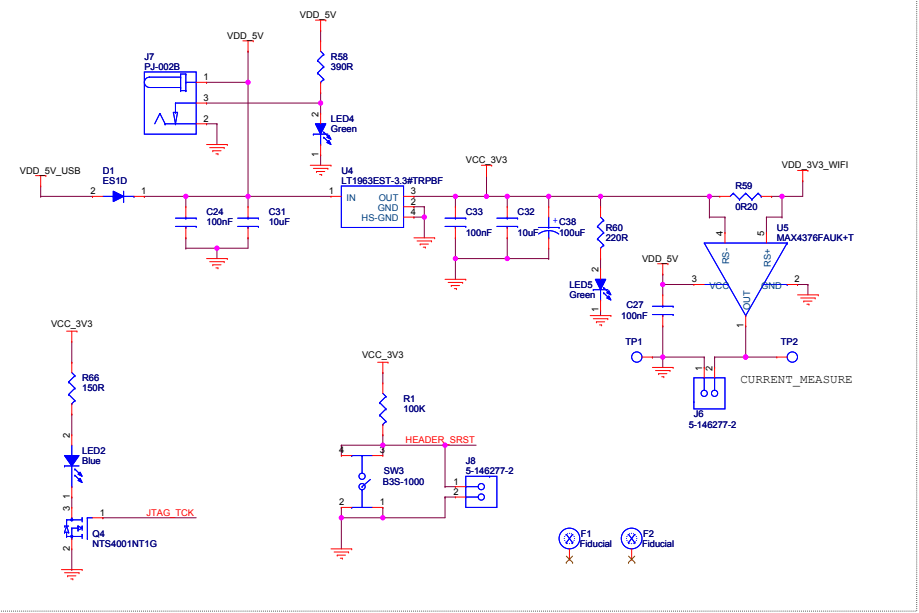
Breakout Header



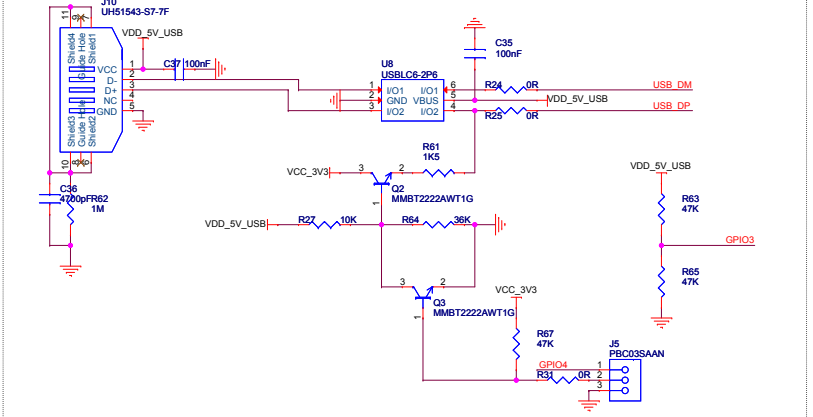
JLINK Header



Power and LEDs



Mini-USB Port

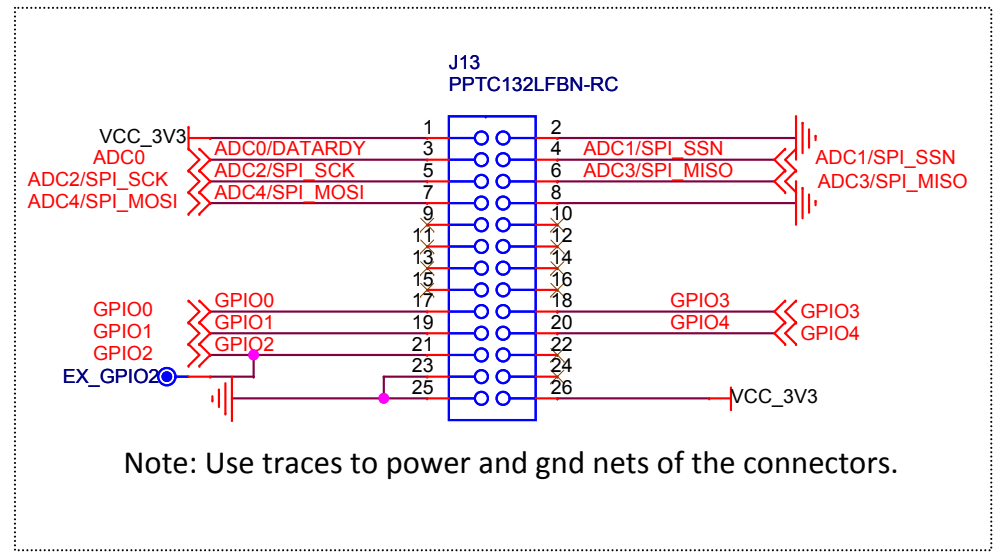
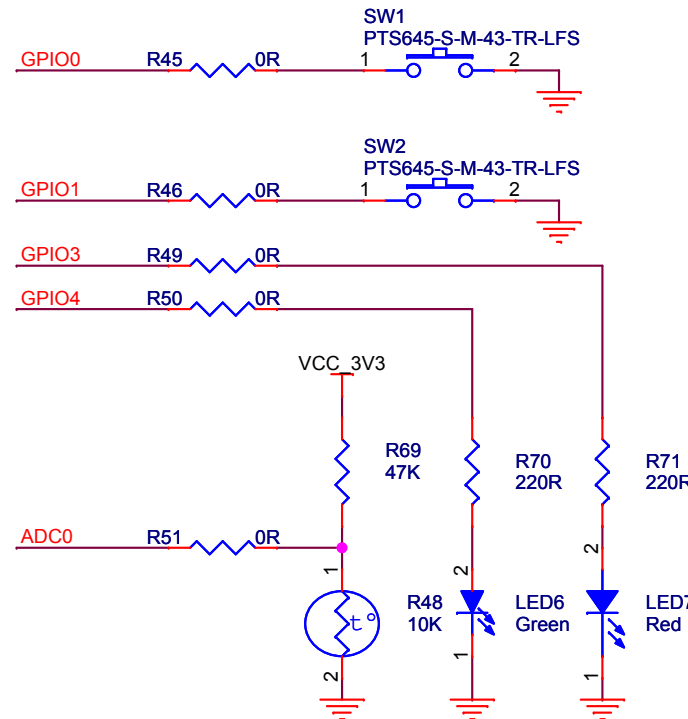
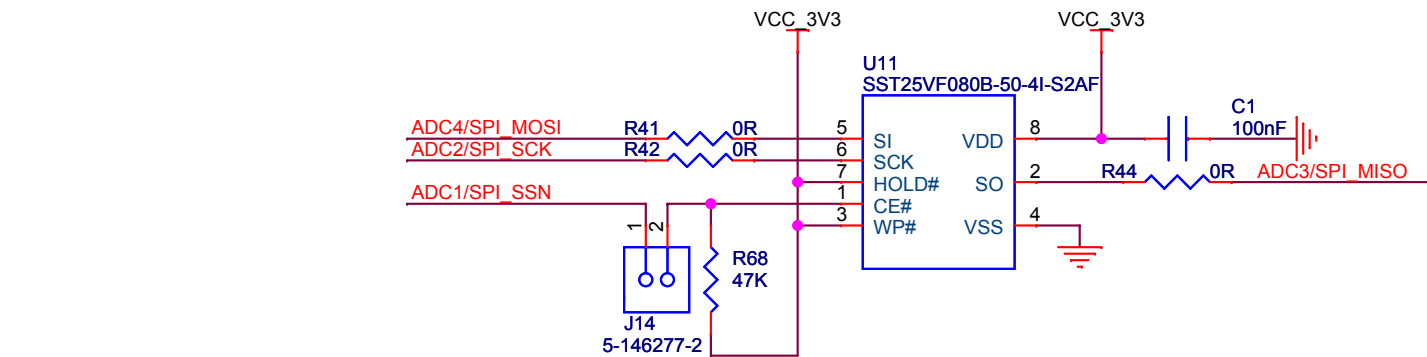


- GPIO0 ○ GPIO0
- GPIO1 ○ GPIO1
- GPIO2 ○ GPIO2
- GPIO3 ○ GPIO3
- GPIO4 ○ GPIO4
- ADC0 ○ ADC0
- ADC1 ○ ADC1
- ADC2 ○ ADC2
- ADC3 ○ ADC3
- ADC4 ○ ADC4
- CFG0 ○ CFG0
- CFG1 ○ CFG1

Inventek Systems

Copyright 2011. All Rights Reserved
Confidential Information

Title: ISM43362 EVB		
Size: C	Doc.: ISM43362_M3G_L44_DOC_SCH_1001	Rev.: A
Date: Tuesday, August 27, 2013	Sheet: 2 of 3	



Inventek Systems

Copyright 2011. All Rights Reserved
Confidential Information

Title: EVB Breakout Board		
Size: A	Doc.: ISM43362_M3G_L44_DOC_SCH_10011	Rev.: A
Date: Tuesday, August 27, 2013		Sheet: 3 of 3